



**User Manual**  
 Wahl 3 in 1 Massage Seat Cushion  
 Model No.: MA-208



www.wahlglobal.com

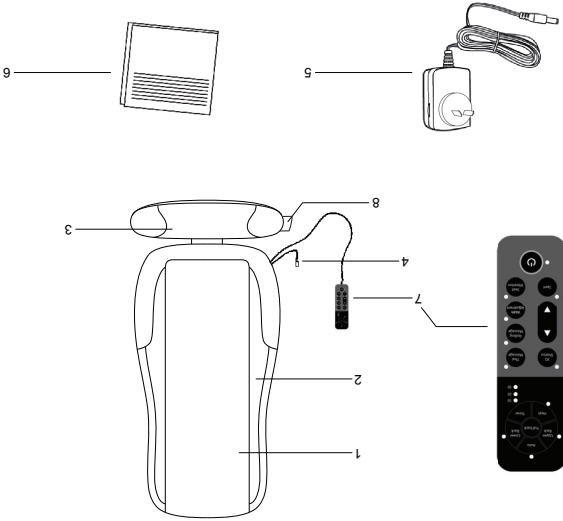


**User Manual**  
 Wahl 3 in 1 Massage Seat Cushion  
 Model No.: MA-208

**Safety Cautions**

1. To ensure the safety and proper use of the product, please read the instructions carefully before use.
2. Use this massager only for its intended use as described in this manual.
3. For adult use only.
4. Consult your physician before using this massager.
5. Always unplug this massager from the electrical outlet immediately after use and before cleaning.
6. Do not cover the product. Do not operate under blanket or pillow. Excessive heating can occur and cause electric shock or injure people.
7. Stop operation immediately if you experience any discomfort.
8. Never operate this unit if it has a damaged cord or plug, is not working properly, has been dropped, damaged, or exposed to water. If the unit's power supply cord or plug is damaged, do not attempt to fix it by yourself.
9. Do not use attachments that are not recommended by the manufacturer.
10. Never insert any object inside the product.
11. The product is not intended for use by children or people with reduced physical, sensory or mental capabilities, or lack of experience and knowledge, unless they have been given supervision or instruction concerning use of the product by a person responsible for their safety.
12. Do not use products in damp or dusty environment to avoid product malfunction.
13. Do not place the product outdoors.
14. Please consult with the doctor before use, if you:
  - Suffer from malignant tumors
  - Suffer from heart disease
  - Are pregnant, after delivery or in a period monthly illness
  - Have a high degree of peripheral obstruction caused by diabetes
  - Are suffering from skin trauma
  - Have a body temperature over 38°C (fever)
  - Have acute inflammation symptoms (burnout, aversion to cold, blood pressure changes)
  - Your spine presents any abnormality
  - Have osteoporosis, vertebral fractures, sprains, muscle strain, acute disease
15. Do not use wet hands to connect or disconnect the power plug from the electrical outlet.
16. Do not place, drop or submerge in water or other liquid.
17. Do not operate for more than 20 minutes continuously.
18. Never leave the unit unattended, especially if children are present.
19. Do not fall asleep while using the product.

**Product Description**



1. Cover cloth
2. Back cushion
3. Seat cushion
4. DC Power Jack
5. Power Adapter
6. User Manual
7. Remote Controller
8. Remote Controller Pocket

## Preparation for Use

1. Check and make sure the product is intact.
2. Place the product into a sturdy chair. You may optionally secure the product to your chair with strap.
3. Connect the adapter and DC connection of the unit, then connect the power supplier.
4. Press on the remote to turn the unit on.
5. Use the remote to select the desired massage programs.
6. Caution! Do not place massager on or near face or sensitive areas.

## How to Operate

1. **Power Button**  
Press the Power button once to turn on the massager. Enter auto mode. The heating function & vibration function are defaulted in OFF. Press again to turn the unit off.
2. **Timer button**  
The default time is 20 minutes. Press the button to set time from 20mins > 30mins > 10mins > 20mins...in cycle. Time out, all function in OFF.
3. **Auto button**  
Press the button activate auto massage program.
4. **Full button**  
Press the button default from 3D kneading. Activate full back massage program.
5. **Upper Back Button**  
Press the button for upper back massage.
6. **Lower Back Button**  
Press the button for lower back massage.
7. **Seat Vibration Button**  
Press the button to activate/deactivate seat vibration massage program.
8. **Heat button**  
Press the button to activate/deactivate gentle heat at massage nodes.
9. **Spot Button**  
Press the button to spot massage. To stop and focus massage nodes at desired position.
10. **▼▲**  
To adjust the spot massage position.
11. **Rolling Massage**  
Press the button to Only after activating the Spot button. You may manually adjust the width by pressing ▼▲.
12. **3D Shiatsu**  
Press the button to activate 3D shiatsu massage program.
13. **Thai Massage**  
Press the button to enter Thai massage program.

Note: Massager automatically shuts off after 20 minutes of continuous use. After the massage is completed, the rollers will return to the storage position.

## Specification

Name of Product:	Wahl 3 in 1 Massage Seat Cushion
Model No.:	MA-208
Rated Voltage:	AC 100-240V / 50/60Hz
Power Output:	DC 12V / 2.5A
Power Consumption:	30W
Auto Timer:	20 minutes

## Maintenance

### Cleaning

1. Before cleaning, turn the massager off and unplug the plug from the power outlet.
2. Wipe dust and dirt off the product with a dry, soft cloth after use.
3. Do not wash or soak product.

### Storage

1. Unplug the plug from the power outlet.
2. Place the massager in a safe, cool and dry place when not in use.
3. Do not put a heavy load on the unit.
4. Store out of the reach of children.

## Troubleshooting

This page summarizes the most common problems you could encounter with the product. If you are unable to solve the problem with the information below, please contact us immediately. Please do not disassemble or repair the product yourself.

Problem	Possible Cause	Action
The product does not work.	The product is not connected with the adapter properly.	Check the connection between the adapter cord plug and the unit jack.
	The Power button is off.	Turn the Power button on.
	The product has just finished its 15 minutes auto timer session.	If you want another session, please press the Power button to turn the product on.
	The product has been used continuously for a long time, then the overheat protection has been activated.	Unplug the product and let it cool down before using it again.
	An excessive load has been applied on the product.	Reduce the excessive load and start again.
The product is abnormally warm.	The product is likely to be overused.	Unplug the product and let it cool down before using it again.
Noise can be heard from the product.	Noise is made by the mechanical parts of the product.	This is normal and does not mean that the product is faulty.